



Parts Manual

Mfg. No: 030244-2
8,000 Watt Briggs & Stratton

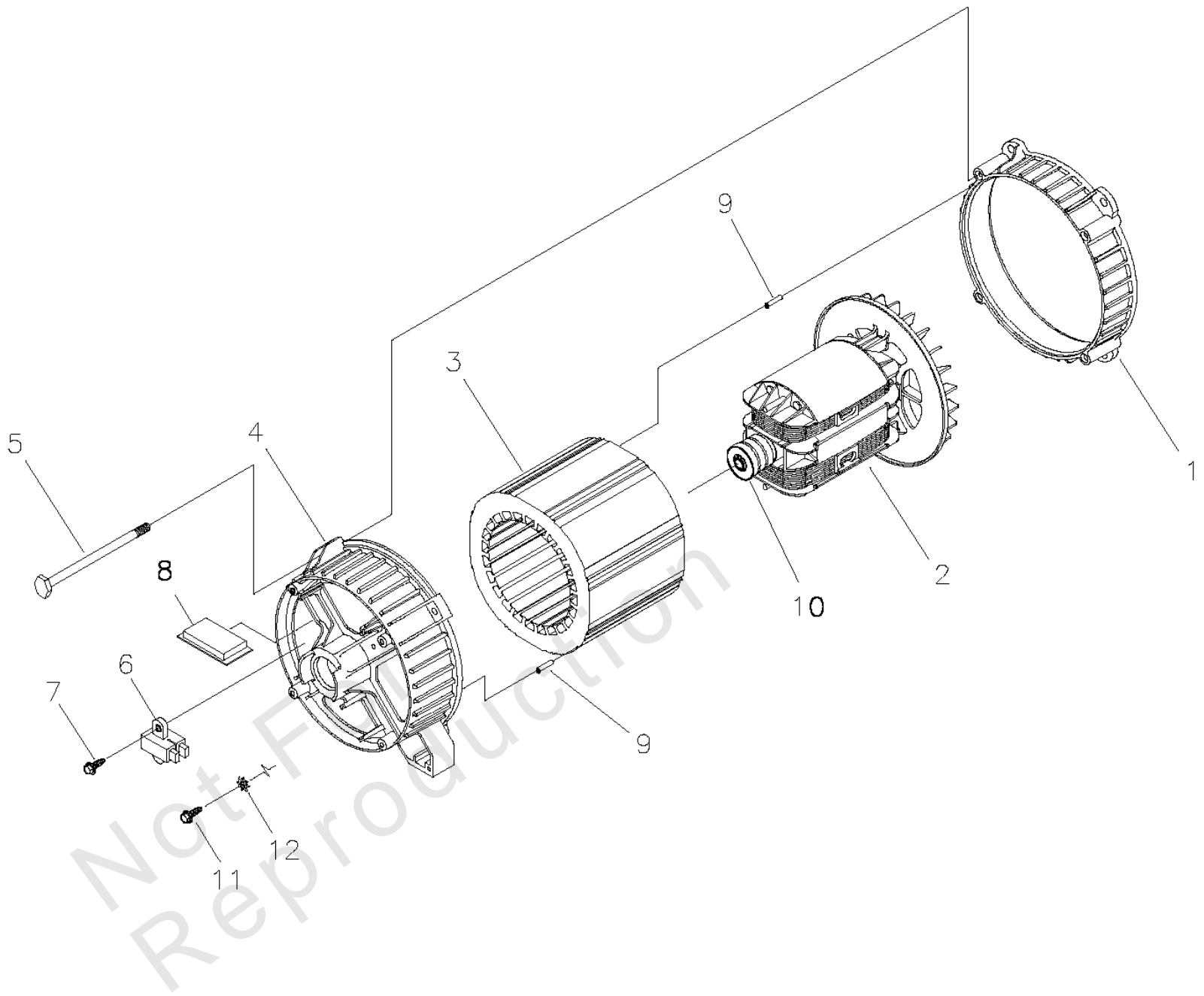
Model Components	Page
Alternator (201461).....	4
Control Panel (201462).....	6
Main Unit (201460).....	8
Wheel Kit (197935).....	12
Wiring Diagram (201501).....	14
Wiring Schematic (201501).....	16
Torque Specification Chart.....	18

Not For
Reproduction

Alternator (201461)

Note: Unless noted otherwise, use the standard torque specifications

Mfg. No: 030244-2



Alternator (201461)

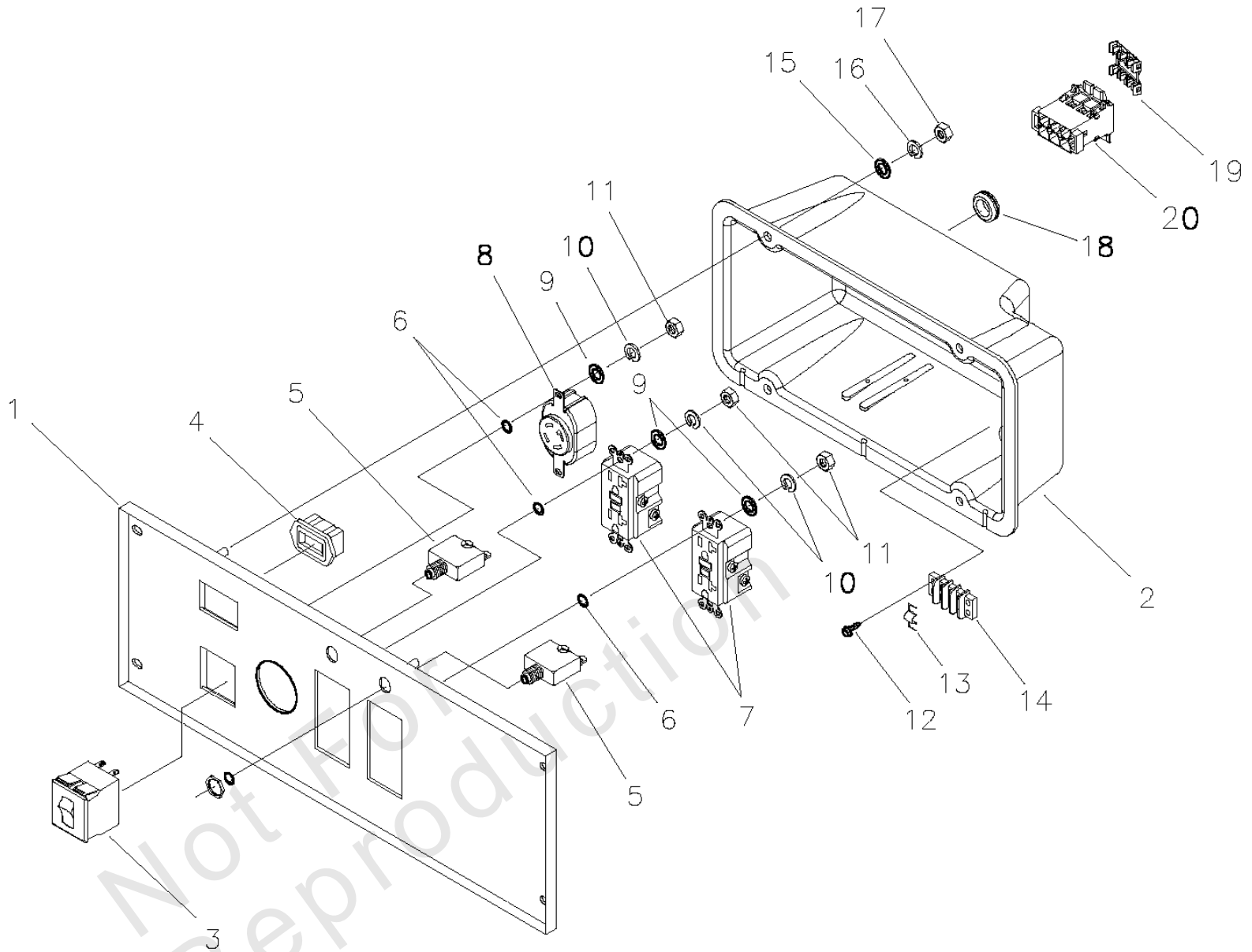
REF NO	PART NO	QTY	DESCRIPTION
1	186059GS		ADAPTER, Mounting, Alternator
2	194773GS		ASSY, Rotor (Includes Item 10)
3	200434AGS		STATOR
4	193336GS		RBC, (with O-Ring p/n 189197)
5	86308KGS		HHCS, M6 - 1.0 x 175 SEMS
6	66386GS		ASSY, Holder, Brush
7	66849GS		TAPTITE, M5 - 0.8 x 16
8	205858GS		BOARD, Circuit, System Control
9	81917GS		PIN, Roll, 4mm x 10
10	65791GS		BEARING
11	74908GS		SCREW, M5 .8 x 10, Taptite
12	23762GS		WASHER, Shakeproof, Ext #10

Not For
Reproduction

Control Panel (201462)

Note: Unless noted otherwise, use the standard torque specifications

Mfg. No: 030244-2



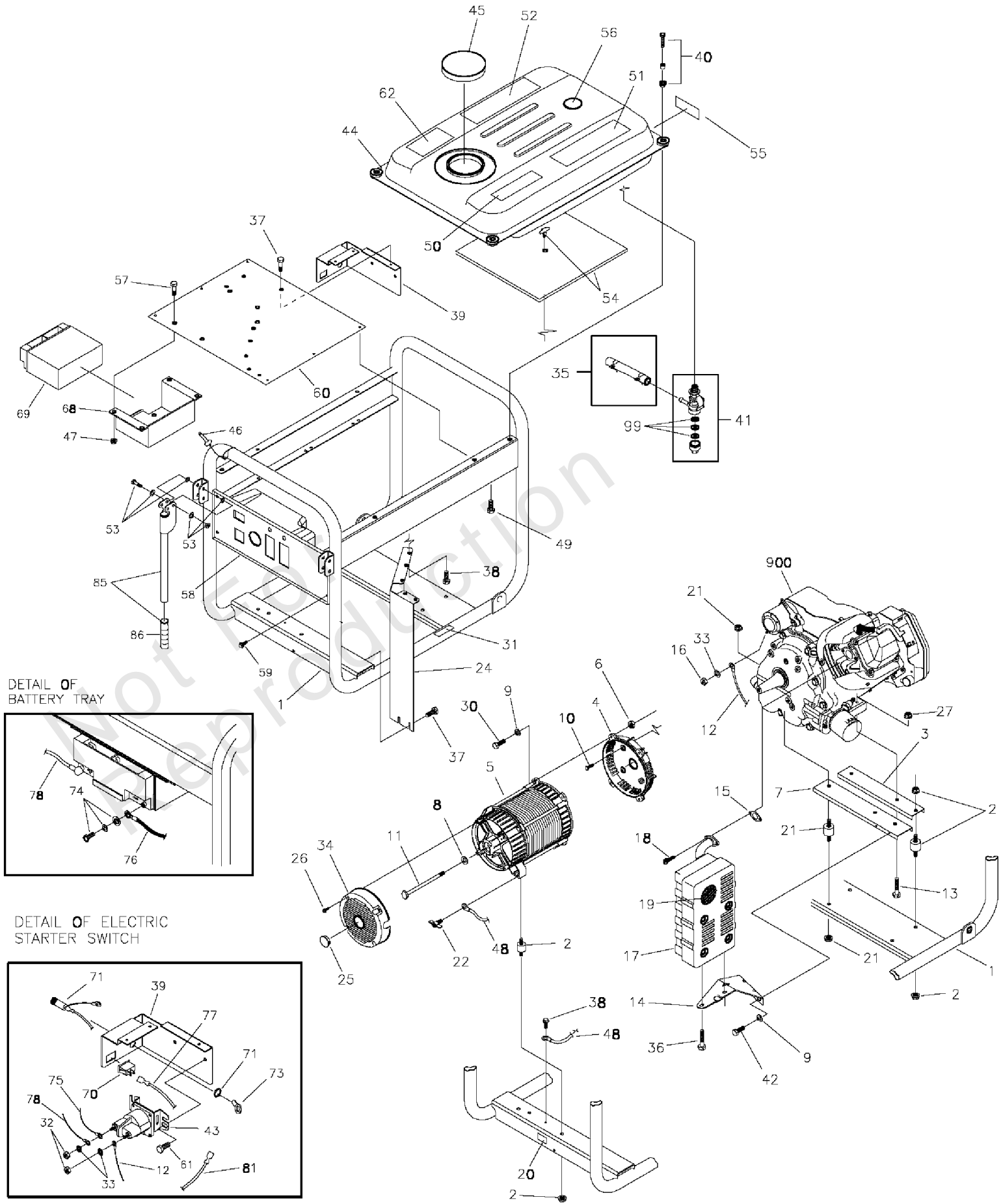
Control Panel (201462)

REF NO	PART NO	QTY	DESCRIPTION
1	198237GS		PANEL, Control
2	198239GS		BOX, Control Panel
3	191479GGS		BREAKER, Circuit, 30A
4	198245GS		METER, Hour
5	75207DGS		BREAKER, Circuit, 15A
6	-		WASHER, Shakeproof, Int. #8 -Purchase locally
7	94373GS		OUTLET, 120V, 15A Duplex
8	43437GS		OUTLET, 120/240V, 30A
9	-		WASHER, Flat, M4 -Purchase locally
10	-		WASHER, Lock, M4 -Purchase locally
11	-		NUT, M4 - 0.7 -Purchase locally
12	198495GS		SCREW, 4 x 18, Tapping
13	193095GS		JUMPER, Terminal Block
14	193427GS		STRIP, Terminal, 3 Pole
15	-		WASHER, Flat, M5 -Purchase locally
16	-		WASHER, Lock, M5 -Purchase locally
17	-		NUT, M5 - 0.8 -Purchase locally
18	38057GS		GROMMET
19	199532GS		STRIP, Dual Row, TPA, 6 Circuit
20	199528GS		PLUG, Dual Row, Housing, 6 Circuit
--	194273GS		TUBING, Fabric, Heat Shrinkable -Not Illustrated

Main Unit (201460)

Note: Unless noted otherwise, use the standard torque specifications

Mfg. No: 030244-2



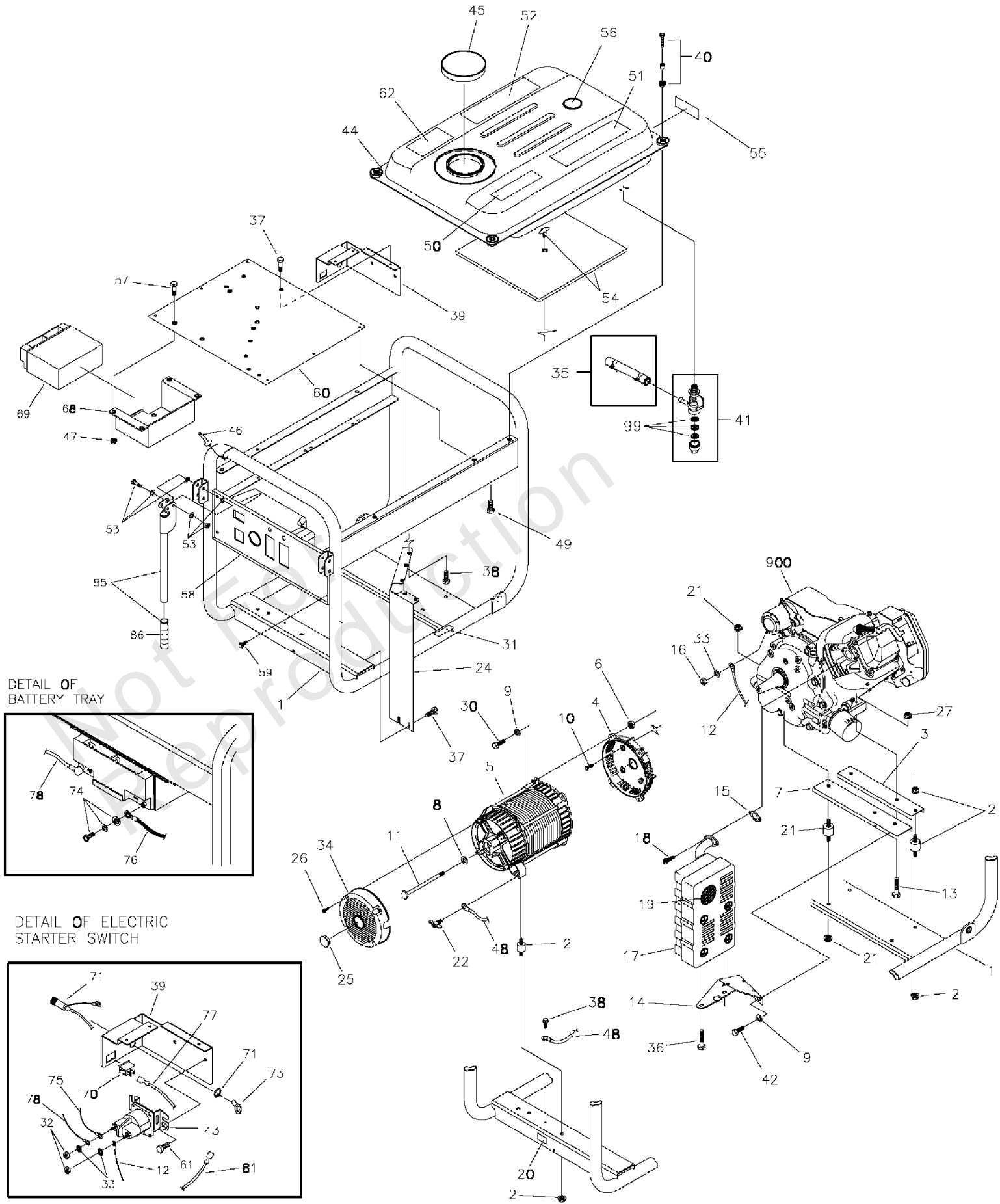
Main Unit (201460)

REF NO	PART NO	QTY	DESCRIPTION
1	B194898GS		KIT, Cradle -(Includes Ref. Nos. 20 & 31)
2	194155GS		KIT, Vibration Mount
3	B92531GS		BRACKET, Support Engine
4	190220GS		ADAPTER, Engine
5	~NSP		ALTERNATOR ASSEMBLY -(See page 5)
6	-		NUT, Hex M8 - 1.25 -Purchase locally
7	B92731GS		BRACKET, Support Eng/Muffler
8	96796GS		WASHER, 8.4 x 22.2 x 3
9	-		WASHER, Lock M8 -Purchase locally
10	190274BGS		SBHC, 3/8-16 x 1"
11	47481GS		HHCS, 5/16 - 24 x 10.62
12	189302LGS		ASM WIRE, #16, Red
13	-		HHCS, M8 1.25 x 45 -Purchase locally
14	92532GS		BRACKET, Muffler
15	90239GS		GASKET, Exhaust
16	-		NUT, Hex M6 1.0 -Purchase locally
17	A7433GS		MUFFLER
18	-		SHCS, M8 - 1.25 x 20 -Purchase locally
19	83083GS		SCREEN, Spark Arrest
20	B4986GS		DECAL, Ground
21	198222GS		KIT, Vibration Mount
22	86494GS		SCREW, Wing M6 - 1.0 x 16
24	194390GS		ASSY., Heat Shield
25	191190GS		CAP
26	74908GS		TAPTITE, M5 - 0.8 x 10
27	67989GS		NUT, M8 Flange Serrated
30	-		HHCS, M8 - 1.25 x 25 -Purchase locally
31	196830GS		DECAL, Exhaust Warning
32	-		NUT, 1/4 - 20 -Purchase locally
33	-		WASHER, 1/4 Lock -Purchase locally
34	195422GS		COVER, RBC Plastic with Cap
35	791745		KIT, Fuel Hose (cut to fit)
36	-		HHCS, M6 1.0 x 12 -Purchase locally
37	56893GS		CRIMPTITE, 10-24 x 1/2
38	B2153GS		SCREW, Self Driller, 12-14 x 7/8
39	B196810GS		BRACKET, Starter
40	198221GS		KIT, Fuel Tank Hardware (Includes Qty 4)
41	189133GS		VALVE, Fuel
42	-		HHCS, 5/16 - 18 x 3/4 -Purchase locally
43	691656		SOLENOID
44	198224GS		ASSEMBLY, Tank Fuel -(Includes Ref. Nos. 41, 50, 51, 52, 55 & 62)
45	189135GS		CAP, Tank Fuel

Main Unit (201460)

Note: Unless noted otherwise, use the standard torque specifications

Mfg. No: 030244-2



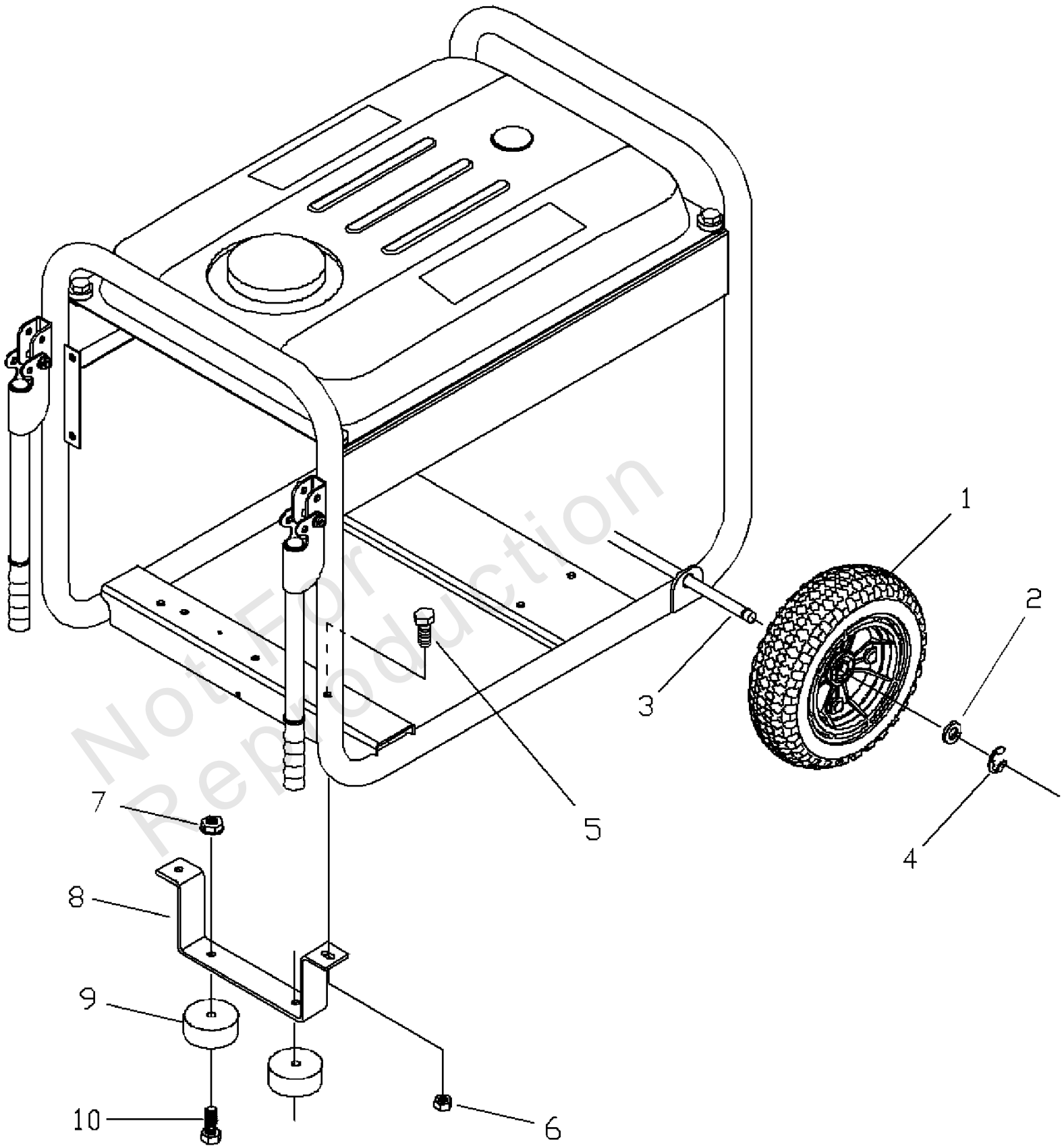
Main Unit (201460)

REF NO	PART NO	QTY	DESCRIPTION
46	B4135GS		PIN, Handle Release
47	77395GS		NUT, M6 Flange Lock
48	195373GS		WIRE, Ground
49	192376GS		SCREW, 12-24 x 1/2, Thread Forming
50	188333GS		DECAL, Instruction Fuel Level
51	194799GS		DECAL, Danger
52	189235GS		DECAL, Start Instructions
53	194034GS		KIT, Folddown Handle Hardware
54	194448GS		KIT, Insulation w/ Clip
55	197797GS		DECAL, Fuel Shutoff
56	192724GS		GAUGE, Fuel
57	-		HHCS, M6 - 1.0 x 12 -Purchase locally
58	201463GS		ASSY. Control Panel
59	198611GS		PPHS, 1/4 - 20 x 0.5
60	204594GS		HEATSHEILD
61	B4300GS		HHS, 1/4 - 20 x 1/2, Trilobular
62	202997GS		DECAL, Warning CO
68	195680GS		TRAY, Battery
69	193463GS		BATTERY
70	87799GS		SWITCH, Rocker On/Off
71	196626GS		ASSY, Jack, Coax, DC
73	192351GS		LUG, 1/4, #22/18
74	193347GS		KIT, Hardware Battery
75	196627AGS		WIRE-A, #13, Red
76	185939KGS		ASM WIRE, #55 Black
77	196627BGS		WIRE-A, #13B, Red
78	189302MGS		ASM WIRE, #13 Red
81	196627EGS		WIRE-A, #0, Black
85	B193200GS		ASSY, Fold Down Handle
86	198669GS		GRIP, Handle
99	189759GS		KIT, Fuel Valve Repair
900	-		ENGINE -Contact Engine Manufacturer
--	199825GS		MANUAL, Operator's -Not Illustrated
--	BB3061GS		BOTTLE, Oil -Not Illustrated
--	B4177GS		CHARGER, Battery -Not Illustrated
--	195236GS		FUSE (5 Pack) -Not Illustrated
--	195237GS		CAP, Fuse (4 Pack) -Not Illustrated
--	191895DGS		SET, Cord -Not Illustrated
--	202179GS		DECAL, Family, CA EVP -Not Illustrated
--	198220GS		KIT, Decal Srv. -Not Illustrated

Wheel Kit (197935)

Note: Unless noted otherwise, use the standard torque specifications

Mfg. No: 030244-2



Wheel Kit (197935)

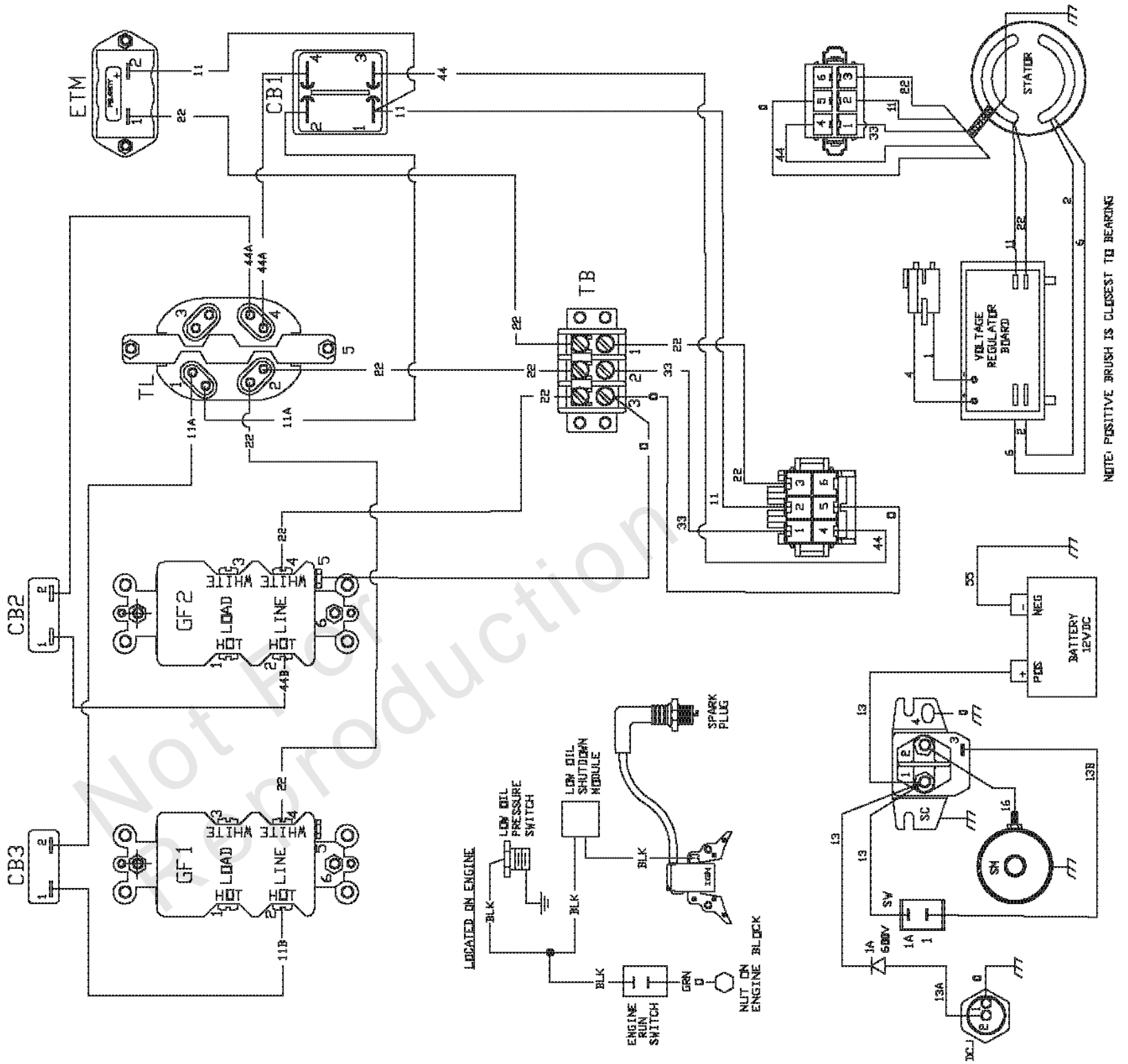
REF NO	PART NO	QTY	DESCRIPTION
1	196517GS		WHEEL
2	-		WASHER, 5/8" -(Purchase Locally)
3	191267RGS		AXLE, 5/8"
4	191265GS		E-RING
5	-		HHCS, M8 1.25 x 20 -(Purchase Locally)
6	67989GS		NUT, M8, Flange Serrated
7	77395GS		NUT, M6 Flange Lock
8	198629GS		ASSY, Support -(Includes Item 9)
9	87841GS		MOUNT, Vibration
10	-		HHCS, M6 - 1.0 x 16 -(Purchase Locally)

Not For
Reproduction

Wiring Diagram (201501)

Note: Unless noted otherwise, use the standard torque specifications

Mfg. No: 030244-2



Wiring Diagram (201501)

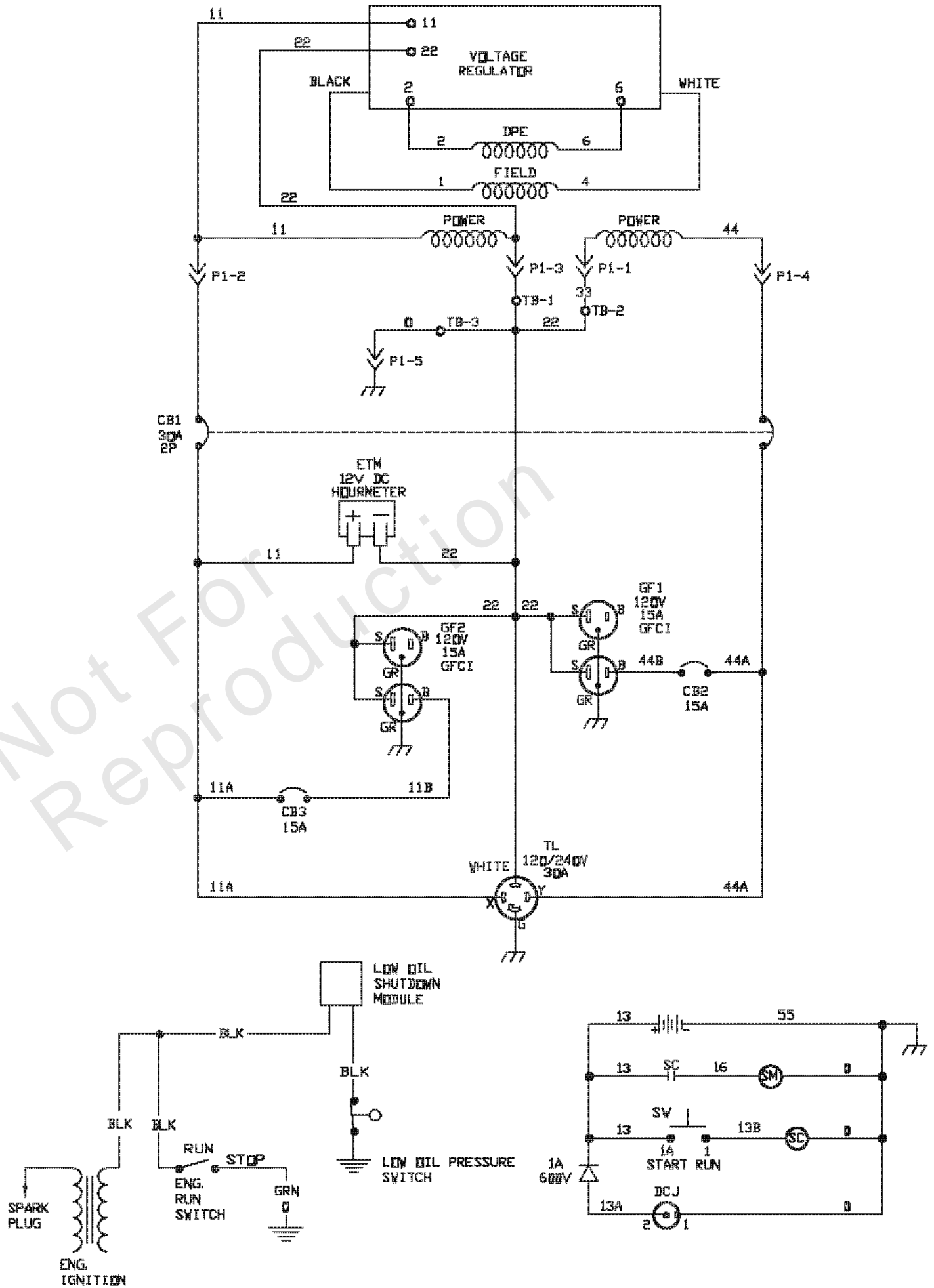
REF NO	PART NO	QTY	DESCRIPTION
--	-		Wiring Diagram Only
--	WARNING		Warning Generator Voltage Could Cause Electrical Shock or Burn Resulting in Death Or Serious Injury. To Avoid Electrical Shock Or Burn Hazard, Please Refer Service To Qualified Personnel.

Not For
Reproduction

Wiring Schematic (201501)

Note: Unless noted otherwise, use the standard torque specifications

Mfg. No: 030244-2



Wiring Schematic (201501)

REF NO	PART NO	QTY	DESCRIPTION
--	-		Wiring Diagram Only
--	WARNING		Warning Generator Voltage Could Cause Electrical Shock or Burn Resulting in Death Or Serious Injury. To Avoid Electrical Shock Or Burn Hazard, Please Refer Service To Qualified Personnel.

Not For
Reproduction

Hardware Identification & Torque Specifications

Torque Specification Chart								
FOR STANDARD METRIC MACHINE HARDWARE (Tolerance ± 20%)								
Property Class	5.6		8.8		10.9		12.9	
	Class 5.6		Class 8.8		Class 10.9		Class 12.9	
Size Of Hardware	in/lbs	Nm.	in/lbs	Nm.	in/lbs	Nm.	in/lbs	Nm.
	ft/lbs		ft/lbs		ft/lbs		ft/lbs	
M3	5.88	.56	13.44	1.28	19.2	1.80	22.92	2.15
M4	13.44	1.28	30.72	2.90	43.44	4.10	52.56	4.95
M5	26.4	2.50	60.96	5.75	5.97	8.10	7.15	9.7
M6	44.64	4.3	7.3	9.9	10.3	14	12.1	16.5
M7	5.2	7.1	12.1	16.5	16.9	23	19.9	27
M8	7.7	10.5	17.7	24	25	34	29	40
M10	15	21	35	48	50	67	59	81
M12	26	36	61	83	86.2	117	103	140
M14	42	58	101	132	136	185	162	220
M16	64	88	147	200	210	285	250	340
M18	89	121	202	275	287	390	346	470
M20	126	171	290	390	405	550	486	660
M22	169	230	390	530	559	745	656	890
M24	217	295	497	375	708	960	840	1140
M27	320	435	733	995	1032	1400	1239	1680
M30	435	590	995	1350	1401	1900	1681	2280
M33	590	800	1349	1830	1902	2580	2278	3090
M36	759	1030	1740	2360	2441	3310	2935	3980
M39	988	1340	2249	3050	3163	4290	3798	5150

Torque Specification Chart						
FOR STANDARD MACHINE HARDWARE (Tolerance ± 20%)						
Hardware Grade	No Marks		SAE Grade 5		SAE Grade 8	
	SAE Grade 2		SAE Grade 5		SAE Grade 8	
Size Of Hardware	in/lbs	Nm.	in/lbs	Nm.	in/lbs	Nm.
	ft/lbs		ft/lbs		ft/lbs	
8-32	19	2.1	30	3.4	41	4.6
8-36	20	2.3	31	3.5	43	4.9
10-24	27	3.1	43	4.9	60	6.8
10-32	31	3.5	49	5.5	68	7.7
1/4-20	66	7.6	8	10.9	12	16.3
1/4-28	76	8.6	10	13.6	14	19.0
5/16-18	11	15.0	17	23.1	25	34.0
5/16-24	12	16.3	19	25.8	29	34.0
3/8-16	20	27.2	30	40.8	45	61.2
3/8-24	23	31.3	35	47.6	50	68.0
7/16-14	30	40.8	50	68.0	70	95.2
7/16-20	35	47.6	55	74.8	80	108.8
1/2-13	50	68.0	75	102.0	110	149.6
1/2-20	55	74.8	90	122.4	120	163.2
9/16-12	65	88.4	110	149.6	150	204.0
9/16-18	75	102.0	120	163.2	170	231.2
5/8-11	90	122.4	150	204.0	220	299.2
5/8-18	100	136	180	244.8	240	326.4
3/4-10	160	217.6	260	353.6	386	525.0
3/4-16	180	244.8	300	408.0	420	571.2
7/8-9	140	190.4	400	544.0	600	816.0
7/8-14	155	210.8	440	598.4	660	897.6
1-8	220	299.2	580	788.8	900	1,244.0
1-12	240	326.4	640	870.4	1,000	1,360.0

The guides and ruler furnished below are designed to help you select the appropriate hardware.



Nut, M8

Thread Diameter (mm)

Inside Diameter (in) Threads per inch

Nut, 1/2-16



Screw, M8- 1.25 x 25

Thread Diameter (mm) Distance between threads (mm) Body Length (mm)

Body Diameter Threads per inch Body Length (in)

Screw, 1/2- 16 x 2



Standard Hardware Sizing

When a washer or nut is identified as 1/2" (M8), this is the *Nominal size*, meaning the *inside diameter* is 1/2 inch (8mm metric thread diameter); if a second number is present it represents the *threads per inch* (distance between threads).

When bolt or capscrew is identified as 1/2 - 16 x 2" (M8 - 1.25 x 50), this means the *Nominal size*, or body diameter is 1/2 inch (8mm metric thread diameter), the second number, 16, represents the *threads per inch*, (*distance between threads*). The final number is the body length of the bolt or screw, 2 inches (50mm).

NOTES

- These torque values are to be used for all hardware excluding: locknuts, self-tapping screws, thread forming screws, sheet metal screws and socket head setscrews.
- Recommended seating torque values for locknuts:
 - for prevailing torque locknuts - use 65% of grade 5 torques.
 - for flange whizlock nuts and screws - use 135% of grade 5 torques.
- Unless otherwise noted on assembly drawings, all torque values must meet this specification.

Common Hardware Types

Hex Head Capscrew



Washer



Carriage Bolt



Hex Nut

Wrench & Fastener Size Guide

1/4" Bolt or Nut Wrench—7/16"	5/16" Bolt or Nut Wrench—1/2"	3/8" Bolt or Nut Wrench—9/16"	7/16" Bolt or Nut Wrench (Bolt)—5/8" Wrench (Nut)—11/16"	1/2" Bolt or Nut Wrench—3/4"
M6 Bolt or Nut Wrench—10mm	M8 Bolt or Nut Wrench—13mm	M10 Bolt or Nut Wrench—17mm	M12 Bolt or Nut Wrench—19mm	M14 Bolt or Nut Wrench—22mm

